

Intelligent Systems: Reasoning and Recognition

James L. Crowley

MoSIG M1

Winter Semester 2018-2019

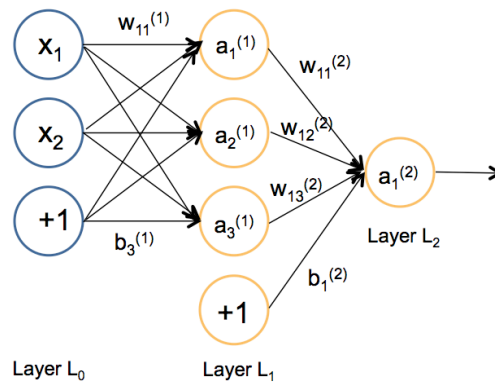
Exercise 5

21 February 2019

Artificial Neural Networks.

The following may be performed by computer program or by hand. The recommended method is to write an interactive Python program.

Assume that you have a 2 layer network with 3 hidden units, and one output, using a sigmoid activation function.



The weights for the first layer have been initialized to the following (random) parameters:

$$W_{ji}^{(1)} = \begin{pmatrix} 1 & 0 \\ -1 & 0 \\ 0 & 1 \end{pmatrix}, b_j^1 = \begin{pmatrix} -1 \\ 0 \\ 1 \end{pmatrix}, W_{ji}^{(2)} = (1 \quad -1 \quad 0) \text{ and } b_j^2 = (1)$$

You have the following 4 samples of training data.

$$\{\bar{X}_m\} = \left\{ \begin{pmatrix} 1 \\ 0 \end{pmatrix}, \begin{pmatrix} 1 \\ 1 \end{pmatrix}, \begin{pmatrix} 0 \\ 1 \end{pmatrix}, \begin{pmatrix} 0 \\ 0 \end{pmatrix} \right\} \text{ with } \{y_m\} = \{1, 0, 1, 0\}$$

- Calculate the output of each unit $a_{ji}^{(l)}$ for the first training sample \bar{X}_1 .
- Calculate the error term $\delta_{j,1}^{(l)}$ for each unit by back-propagation for the first training sample \bar{X}_1 .
- Calculate the corrections $\Delta w_{ji,1}^{(l)}$ and $\Delta b_{j,1}^{(l)}$ for the first training sample \bar{X}_1 .
- Apply the correction to the network parameters using a learning rate of $\eta=0.5$ and repeat steps a, b and c for training samples $m=2, 3$ and 4. What are the resulting network parameters?
- Determine $\Delta w_{ji,m}^{(l)} = a_i^{(l-1)} \delta_{j,m}^{(l)}$ and $\Delta b_{j,m}^{(l)} = \delta_{j,m}^{(l)}$ for all 4 training sample $\{\bar{X}_m\}$ and $\{y_m\}$ without applying the correction to the weights. Compute the average of the correction factors and then update the weights with a learning rate of $\eta=0.5$ using the average. What are the resulting network parameters?